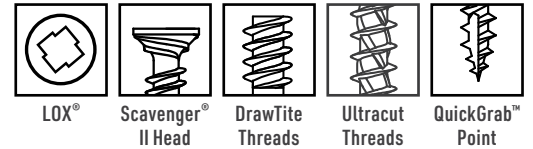
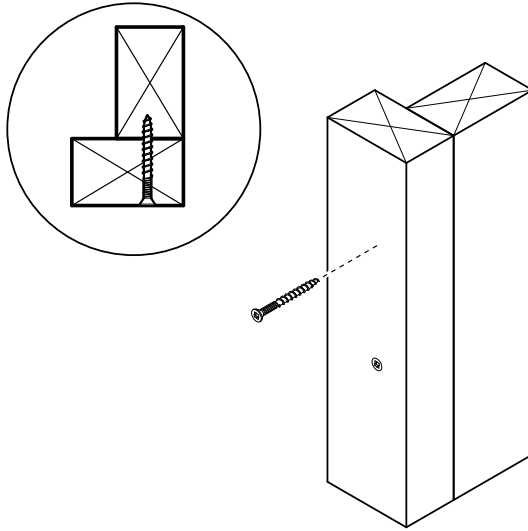


UltraPro™ Interior Wood Screw

Wood to Wood

GRABBER®
CONSTRUCTION PRODUCTS



Description General purpose, interior wood construction, remodeling and renovation.

Specifications

Size | Gauge: #8 to #10
Length: 1 1/4 in. to 5 in.
Head Type: Scavenger® II
Recess Type: #2 LOX®
Thread Type: UltraCut, Coarse
Finish: Yellow Zinc

Quality Assurance: Grabber® fasteners are manufactured in ISO 9001 and ISO 14001 certified and approved factories.

LEED Reporting: The post-consumer recycled steel content is 25%.

Applications

- Interior wood construction
- Framing
- Remodeling and renovation
- General purpose construction

Installation

- Use a standard screw gun with a depth-sensitive nose piece, drill, or impact driver. Suggested screw gun specification for optimal performance: sizes #8 to #10, up to 4,000 RPM.
- The flat head is fully seated when the head is flush with the work surface.
- The fastener should penetrate the wood at least 3/4 in., in accordance with AWC-NDS for wood construction.
- Overdriving may result in failure of the fastener.

Features

- No countersinking required, Scavenger® II spiral self-countersinks.
- DrawTite threads pull wood members together, creating a tight seal between boards.
- Extra-sharp UltraCut threads drive faster.
- The QuickGrab™, Type 17 point starts immediately, allowing you to free up your other hand.
- Ideal for driving screws at difficult angles.

UltraPro™ Interior Wood Screw

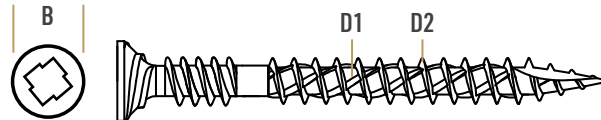
Wood to Wood

GRABBER
CONSTRUCTION PRODUCTS

Standard Corrosion Test Results

Finish	Test	Standard/Protocol	Results
Yellow Zinc	Salt Spray	ASTM B117	24 hrs., no red rust

Note: Salt Spray Testing (SST) results are not intended to predict corrosion in real-world environments. The ASTM B117 standard for SST is recognized industry-wide as an effective tool for comparing different metals and different metal coatings in a tightly controlled, highly corrosive environment for specific periods of time. For more information about corrosion resistance, refer to Grabber's Coatings and Corrosion Resistance Classifications in the Technical Data section of Grabber Fastener Solutions, PG1000. Consult with a corrosion specialist or the architect or engineer of record for detailed guidance and recommendations specific to your project.



Product Dimensions

Size	B Head Dia.	Recess	D1 Minor Dia.	D2 Major Dia.	TPI ¹
#8	0.343 in.	#2 LOX [®]	0.098 in.	0.164 in.	12
#9	0.346 in.	#2 LOX [®]	0.104 in.	0.177 in.	11
#10	0.358 in.	#2 LOX [®]	0.122 in.	0.190 in.	10

¹TPI stands for Threads Per Inch. This is a count of the number of threads per inch measured along the length of a fastener.

Ordering Information and Product Options

Item No.	Size	Recess	Head Diameter	TPI ¹	Quantity	Weight	Special Features
Yellow Zinc							
U8125YZ	8 x 1 1/4 in.	#2 LOX [®]	0.343 in.	12	4,500	30 lb.	UltraPro™, DrawTite threads, UltraCut threads, QuickGrab™ point
U8150YZ	8 x 1 1/2 in.	#2 LOX [®]	0.343 in.	12	3,500	32 lb.	
U8200YZ	8 x 2 in.	#2 LOX [®]	0.343 in.	12	2,500	33 lb.	
U9250YZ	9 x 2 1/2 in.	#2 LOX [®]	0.346 in.	11	2,000	22 lb.	
U10300YZ	10 x 3 in.	#2 LOX [®]	0.358 in.	10	1,500	21 lb.	
U10350YZ	10 x 3 1/2 in.	#2 LOX [®]	0.358 in.	10	1,500	20 lb.	
U10400YZ	10 x 4 in.	#2 LOX [®]	0.358 in.	10	1,000	20 lb.	
U10450YZ	10 x 4 1/2 in.	#2 LOX [®]	0.358 in.	10	1,000	20 lb.	
U10500YZ	10 x 5 in.	#2 LOX [®]	0.358 in.	10	1,000	20 lb.	

¹TPI stands for Threads Per Inch. This is a count of the number of threads per inch measured along the length of a fastener.

Note: Product availability is subject to change without prior notice and the availability of products may differ from what is printed in literature and displayed on our website. The items listed are bulk size. Most are also available in smaller packages such as 5 lb. and 1 lb. Contact your local Grabber Branch or GrabberPro for more information.

UltraPro™ Interior Wood Screw
PS1031 USA-ENG/Rev. 02-25

GRABBER CONSTRUCTION PRODUCTS, INC.
5255 W 11000 N., STE 100
HIGHLAND, UT 84003

(800) 477-8876 | GrabberPro.com

SAFETY FIRST: Wear appropriate personal protective equipment. Read applicable SDS and literature before handling and installation.

TECHNICAL INFORMATION: Technical information contained herein is furnished without charge or obligation and is given and accepted at the recipient's sole risk. Because conditions of use may vary and are beyond our control, Grabber Construction Products makes no representation about, and is not responsible or liable for, the accuracy or reliability of data associated with uses of any product described herein. Grabber Construction Products reserves the right to modify this document without prior notice.

© 2025 Grabber Construction Products, Inc. | All rights reserved | Printed in U.S.A.
The trademarks Grabber, LOX, QuickGrab, Scavenger, UltraPro, and Stylized G on Grabber Fasteners, are trademarks of Grabber Construction Products, Inc.

