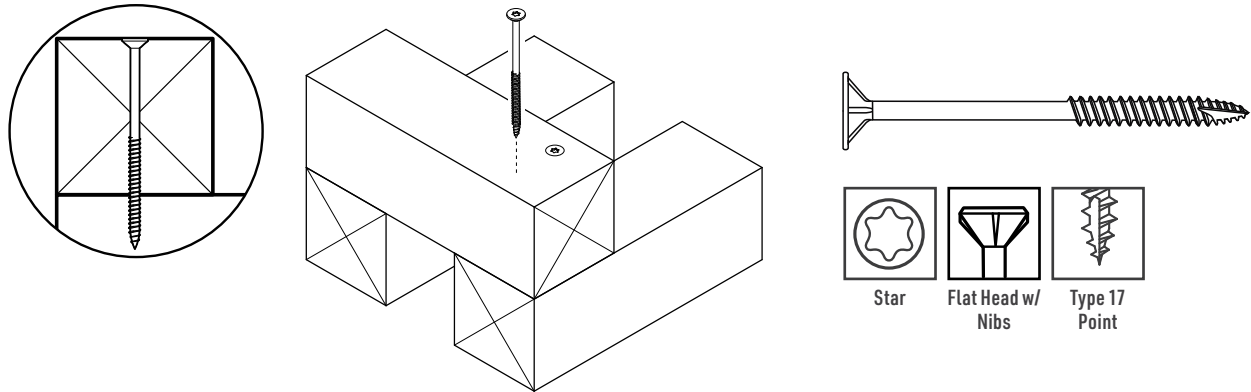


# Tie-Master Structural Wood Screw

Wood to Wood

**GRABBER**  
CONSTRUCTION PRODUCTS



**Description** Multi-purpose wood fastener for general wood construction, laminated beams, under-deck connections, trusses, and dimensional lumber.

## Specifications

**Size | Gauge:** #14  
**Length:** 2 1/2 in. to 12 in.  
**Head Type:** Flat Head  
**Recess Type:** T40 Star  
**Thread Type:** Coarse  
**Finish:** Mechanically galvanized

**Quality Assurance:** Grabber® fasteners are manufactured in ISO 9001 and ISO 14001 certified and approved factories.  
**LEED Reporting:** The post-consumer recycled steel content is 25%.  
**Compliance:** ICC ESR-3531; ASTM B695 Class 55.

## Applications

- General wood-to-wood construction
- Decks, docks, and boardwalks
- Under-deck connections
- Trusses and dimensional lumber
- Laminated beams

## Installation

- Use a standard screw gun with a depth-sensitive nose piece or an impact driver. Suggested screw gun specification for optimal performance: size #14, up to 2,500 RPM.
- The head is fully seated when flush with the work surface.
- The fastener should penetrate the wood at least 1 1/8 in., in accordance with AWC-NDS for wood construction.
- Overdriving may result in failure of the fastener.

## Features

- Flat head design provides better holding power in wood-to-wood applications. Special nibs self-countersink as the screw seats.
- DrawTite shank pulls wood members together, rather than forcing them apart, as the fastener drives in and seats.
- Mechanically galvanized against corrosion to ASTM B695 Class 55.
- Grabber's galvanized coating is ACQ compliant.
- The Type 17 point starts and drives into most common wood species without predrilling.

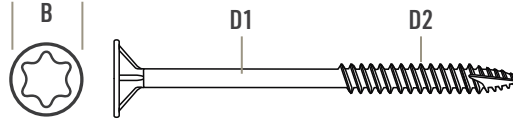
# Tie-Master Structural Wood Screw

## Wood to Wood



### Standard Corrosion Test Results

Finish	Test	Standard/Protocol	Results
Mechanically Galvanized	Coating Thickness Classification	ASTM B695	Class 55



### Product Dimensions

Size	B Head Dia.	Recess	D1 Minor Dia.	D2 Major Dia.	TPI <sup>1</sup>
#14	0.560 in.	T40 Star	0.185 in.	0.242 in.	10

<sup>1</sup>TPI stands for Threads Per Inch. This is a count of the number of threads per inch measured along the length of a fastener.

### Ordering Information and Product Options

Item No.	Size	Recess	Head Diameter	TPI <sup>1</sup>	Quantity	Weight	Special Features
<b>Galvanized</b>							
GTIE212	14 x 2 1/2 in.	T40 Star	0.560 in.	10	500	29 lb.	ICC ESR-3531, Underhead nibs, Type 17 point
GTIE4	14 x 4 in.	T40 Star	0.560 in.	10	500	33 lb.	
GTIE412	14 x 4 1/2 in.	T40 Star	0.560 in.	10	500	35 lb.	
GTIE5	14 x 5 in.	T40 Star	0.560 in.	10	500	38 lb.	
GTIE6	14 x 6 in.	T40 Star	0.560 in.	10	500	41 lb.	
GTIE8	14 x 8 in.	T40 Star	0.560 in.	10	500	44 lb.	
GTIE10	14 x 10 in.	T40 Star	0.560 in.	10	500	47 lb.	
GTIE12	14 x 12 in.	T40 Star	0.560 in.	10	500	51 lb.	

<sup>1</sup>TPI stands for Threads Per Inch. This is a count of the number of threads per inch measured along the length of a fastener.  
 Note: Product availability is subject to change without prior notice and the availability of products may differ from what is printed in literature and displayed on our website. The items listed are bulk size. Most are also available in smaller packages such as 5 lb. and 1 lb. Contact your local Grabber Branch or GrabberPro for more information.

Tie-Master Structural Wood Screw  
 PS1061 USA-ENG/Rev. 02-25

GRABBER CONSTRUCTION PRODUCTS, INC.  
 5255 W 11000 N., STE 100  
 HIGHLAND, UT 84003

(800) 477-8876 | GrabberPro.com

**SAFETY FIRST:** Wear appropriate personal protective equipment. Read applicable SDS and literature before handling and installation.

**TECHNICAL INFORMATION:** Technical information contained herein is furnished without charge or obligation and is given and accepted at the recipient's sole risk. Because conditions of use may vary and are beyond our control, Grabber Construction Products makes no representation about, and is not responsible or liable for, the accuracy or reliability of data associated with uses of any product described herein. Grabber Construction Products reserves the right to modify this document without prior notice.

© 2025 Grabber Construction Products, Inc. | All rights reserved | Printed in U.S.A.  
 The trademarks Grabber, and Stylized G on Grabber Fasteners, are trademarks of Grabber Construction Products, Inc.

