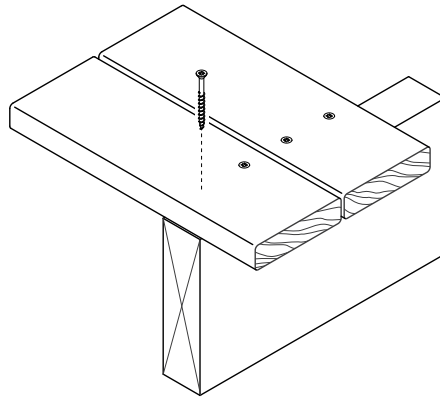
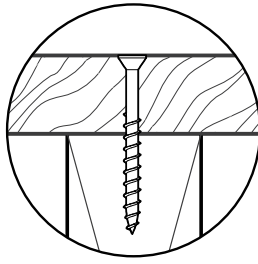


# Flat Head Wood-to-Wood Screws

Exterior Wood

**GRABBER**  
CONSTRUCTION PRODUCTS



Star



Square



LOX<sup>®</sup>



Flat Head w/  
Nibs



Flat Head



QuickGrab<sup>™</sup>  
Point



Type 17  
Point

## Description

For general purpose exterior wood projects such as decks, fences, siding, and lattices.

## Specifications

**Size | Gauge:** #6 to #10

**Length:** 1 1/4 in. to 6 in.

**Head Type:** Flat, Flat w/nibs

**Recess Type:** T20 Star, T25 Star,  
#2 Square, #2 LOX<sup>®</sup>

**Thread Type:** Single Lead and  
Double Lead, Coarse

**Finish:** GrabberGard<sup>®</sup>, Stainless Steel

**Quality Assurance:** Grabber<sup>®</sup> fasteners are manufactured in ISO 9001 and ISO 14001 certified and approved factories.

**LEED Reporting:** The post-consumer recycled steel content is 25%.

## Applications

- Exterior wood-to-wood applications
- General exterior wood construction
- Decking
- Fencing
- Siding
- Lattice
- Docks

## Installation

- Use a standard screw gun with a depth-sensitive nose piece. Suggested screw gun specification for optimal performance: sizes #6 to #10, up to 4,000 RPM.
- The flat head is fully seated when it is flush with the work surface.
- The fastener should penetrate the wood at least 5/8 in., in accordance with AWC-NDS for wood construction.
- Overdriving may result in failure of the fastener.

## Features

- Square recess is a precision recess designed for secure bit engagement in wood-to-wood applications.
- Star recess provides consistent, reliable performance in wood-to-wood applications.
- LOX<sup>®</sup> recess allows for ultimate torque and will not strip out like most other recesses.
- The flat head design provides better holding power in wood-to-wood applications.
- Underhead nibs ensure flush countersinking.
- Type 17 point is designed to smoothly penetrate wood without cracking the surface.
- QuickGrab<sup>™</sup> point starts immediately and drives into most common wood species without predrilling.

# Flat Head Wood-to-Wood Screws

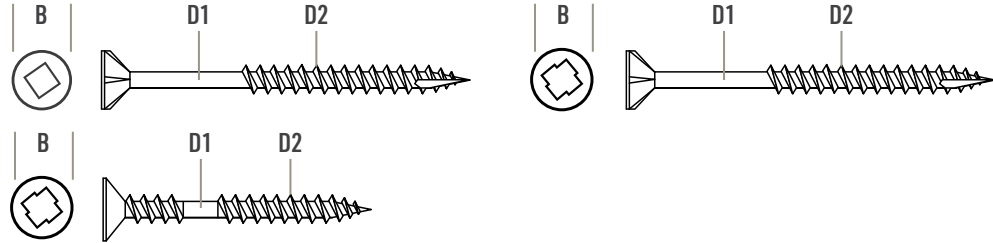
## Exterior Wood



### Standard Corrosion Test Results

Finish	Test	Standard/Protocol	Results
GrabberGard®	Salt Spray	ASTM B117	1,000 hrs., no red rust

Note: Salt Spray Testing (SST) results are not intended to predict corrosion in real-world environments. The ASTM B117 standard for SST is recognized industry-wide as an effective tool for comparing different metals and different metal coatings in a tightly controlled, highly corrosive environment for specific periods of time. For more information about corrosion resistance, refer to Grabber's Coatings and Corrosion Resistance Classifications in the Technical Data section of Grabber Fastener Solutions, PG1000. Consult with a corrosion specialist or the architect or engineer of record for detailed guidance and recommendations specific to your project.



### Product Dimensions

Size	B Head Dia.	Recess	D1 Minor Dia.	D2 Major Dia.	TPI <sup>1</sup>
#6	0.303 in.	T20 Star	0.091 in.	0.138 in.	10
#7	0.303 in.	T20 Star	0.100 in.	0.151 in.	9
	0.303 in.	T20 Star	0.100 in.	0.151 in.	7
#8	0.309 in.	#2 Square	0.116 in.	0.164 in.	8
	0.318 in.	T20 Star	0.110 in.	0.164 in.	9
	0.323 in.	#2 LOX®	0.118 in.	0.164 in.	8
	0.323 in.	T20 Star	0.118 in.	0.164 in.	9
	0.354 in.	#2 LOX®	0.118 in.	0.164 in.	8
#9	0.335 in.	T20 Star	0.122 in.	0.177 in.	8
	0.337 in.	#2 Square	0.124 in.	0.177 in.	8
	0.337 in.	#2 LOX®	0.124 in.	0.177 in.	8
	0.354 in.	#2 LOX®	0.126 in.	0.177 in.	9
#10	0.354 in.	#2 LOX®	0.134 in.	0.190 in.	8
	0.358 in.	T25 Star	0.132 in.	0.190 in.	8
	0.362 in.	T25 Star	0.124 in.	0.190 in.	8
	0.363 in.	#2 Square	0.132 in.	0.190 in.	8

<sup>1</sup>TPI stands for Threads Per Inch. This is a count of the number of threads per inch measured along the length of a fastener.

### Ordering Information and Product Options

Item No.	Size	Recess	Head Diameter	TPI <sup>1</sup>	Quantity	Weight	Special Features
GrabberGard® Gray							
78125RG	8 x 1 1/4 in.	#2 Square	0.309 in.	8	6,000	30 lb.	Woody, Underhead nibs, Type 17 point
78150RG	8 x 1 1/2 in.	#2 Square	0.309 in.	8	5,000	31 lb.	
78175RG	8 x 1 3/4 in.	#2 Square	0.309 in.	8	4,000	28 lb.	
78200RG	8 x 2 in.	#2 Square	0.309 in.	8	3,000	25 lb.	
78250RG	9 x 2 1/2 in.	#2 Square	0.337 in.	8	2,500	30 lb.	
78275RG	9 x 2 3/4 in.	#2 Square	0.337 in.	8	2,000	25 lb.	

<sup>1</sup>TPI stands for Threads Per Inch. This is a count of the number of threads per inch measured along the length of a fastener.

# Flat Head Wood-to-Wood Screws

## Exterior Wood

**GRABBER**  
CONSTRUCTION PRODUCTS

### Ordering Information and Product Options (continued)

Item No.	Size	Recess	Head Diameter	TPI <sup>1</sup>	Quantity	Weight	Special Features	
GrabberGard® Gray (continued)								
783008RG	8 x 3 in.	#2 Square	0.309 in.	8	2,000	28 lb.	Woody, Underhead nibs, Type 17 point	
78300RG	9 x 3 in.	#2 Square	0.337 in.	8	2,000	28 lb.		
78350RG	10 x 3 1/2 in.	#2 Square	0.363 in.	8	1,000	20 lb.		
78400RG	10 x 4 in.	#2 Square	0.363 in.	8	1,000	23 lb.		
78500RG	10 x 5 in.	#2 Square	0.363 in.	8	1,000	26 lb.		
78600RG	10 x 6 in.	#2 Square	0.363 in.	8	1,000	33 lb.		
WL8150RG	8 x 1 1/2 in.	#2 LOX®	0.309 in.	8	5,000	29 lb.		
WL8200RG	8 x 2 in.	#2 LOX®	0.309 in.	8	3,000	24 lb.		
WL9250RG	9 x 2 1/2 in.	#2 LOX®	0.337 in.	8	2,500	29 lb.		
WL9300RG	9 x 3 in.	#2 LOX®	0.337 in.	8	2,000	28 lb.		
W10400RG	10 x 4 in.	#2 LOX®	0.363 in.	8	1,000	22 lb.		
G6125G	6 x 1 1/4 in.	T20 Star	0.303 in.	10	8,000	30 lb.		Underhead nibs, QuickGrab™ point
G6150G	6 x 1 1/2 in.	T20 Star	0.303 in.	10	5,000	22 lb.		
G7200G	7 x 2 in.	T20 Star	0.303 in.	9	3,500	23 lb.		
G8225G	8 x 2 1/4 in.	T20 Star	0.318 in.	9	3,000	27 lb.		
G8250G	8 x 2 1/2 in.	T20 Star	0.318 in.	9	2,500	24 lb.		
G8300G	8 x 3 in.	T20 Star	0.318 in.	9	2,000	23 lb.		
G9300G	9 x 3 in.	T20 Star	0.335 in.	8	2,000	27 lb.		
G10350G	10 x 3 1/2 in.	T25 Star	0.358 in.	8	1,000	19 lb.		
G10400G	10 x 4 in.	T25 Star	0.358 in.	8	1,000	21 lb.		
G10500G	10 x 5 in.	T25 Star	0.358 in.	8	1,000	27 lb.		
G6125GG	6 x 1 1/4 in.	T20 Star	0.303 in.	10	8,000	30 lb.		
G6150GG	6 x 1 1/2 in.	T20 Star	0.303 in.	10	5,000	22 lb.		
G7200GG	7 x 2 in.	T20 Star	0.303 in.	9	3,500	23 lb.		
G8225GG	8 x 2 1/4 in.	T20 Star	0.318 in.	9	3,000	27 lb.		
G8250GG	8 x 2 1/2 in.	T20 Star	0.318 in.	9	2,500	24 lb.		
G8300GG	8 x 3 in.	T20 Star	0.318 in.	9	2,000	23 lb.		
G9300GG	9 x 3 in.	T20 Star	0.335 in.	8	2,000	27 lb.		
G10350GG	10 x 3 1/2 in.	T25 Star	0.358 in.	8	1,000	19 lb.		
G10400GG	10 x 4 in.	T25 Star	0.358 in.	8	1,000	21 lb.		
G10500GG	10 x 5 in.	T25 Star	0.358 in.	8	1,000	27 lb.		
G6125GB	6 x 1 1/4 in.	T20 Star	0.303 in.	10	8,000	30 lb.		
G6150GB	6 x 1 1/2 in.	T20 Star	0.303 in.	10	5,000	22 lb.		
G7200GB	7 x 2 in.	T20 Star	0.303 in.	9	3,500	23 lb.		
G8225GB	8 x 2 1/4 in.	T20 Star	0.318 in.	9	3,000	27 lb.		
G8250GB	8 x 2 1/2 in.	T20 Star	0.318 in.	9	2,500	24 lb.		
G8300GB	8 x 3 in.	T20 Star	0.318 in.	9	2,000	23 lb.		
G9300GB	9 x 3 in.	T20 Star	0.335 in.	8	2,000	27 lb.		
G10350GB	10 x 3 1/2 in.	T25 Star	0.358 in.	8	1,000	19 lb.		
G10400GB	10 x 4 in.	T25 Star	0.358 in.	8	1,000	21 lb.		
G10500GB	10 x 5 in.	T25 Star	0.358 in.	8	1,000	27 lb.		

<sup>1</sup>TPI stands for Threads Per Inch. This is a count of the number of threads per inch measured along the length of a fastener.

# Flat Head Wood-to-Wood Screws

## Exterior Wood

**GRABBER**  
CONSTRUCTION PRODUCTS

### Ordering Information and Product Options (continued)

Item No.	Size	Recess	Head Diameter	TPI <sup>1</sup>	Quantity	Weight	Special Features
<b>GrabberGard® Gray (continued)</b>							
C8200L2M	8 x 2 in.	#2 LOX®	0.354 in.	8	1,000	5lb.	Collated, QuickGrab™ point
C8250L2M	8 x 2 1/2 in.	#2 LOX®	0.354 in.	8	1,000	5lb.	
C9300L2M	9 x 3 in.	#2 LOX®	0.354 in.	8	1,000	5lb.	
C10158JBWG2	10 x 1 5/8 in.	#2 LOX®	0.354 in.	8	1,000	5lb.	Collated, Type 17 point
C8200TXG2	8 x 2 in.	#2 LOX®	0.323 in.	8	1,000	5lb.	
C8300TXG2	8 x 3 in.	#2 LOX®	0.323 in.	8	1,000	5lb.	
<b>GrabberGard® Green</b>							
78125GRG	8 x 1 1/4 in.	#2 Square	0.309 in.	8	6,000	30 lb.	Woody, Underhead nibs, Type 17 point
78150GRG	8 x 1 1/2 in.	#2 Square	0.309 in.	8	5,000	31 lb.	
78175GRG	8 x 1 3/4 in.	#2 Square	0.309 in.	8	4,000	28 lb.	
78200GRG	8 x 2 in.	#2 Square	0.309 in.	8	3,000	25 lb.	
78250GRG	8 x 2 1/2 in.	#2 Square	0.309 in.	8	2,500	25 lb.	
78300GRG	8 x 3 in.	#2 Square	0.309 in.	8	2,000	24 lb.	
78350GRG	10 x 3 1/2 in.	#2 Square	0.363 in.	8	1,000	20 lb.	
78400GRG	10 x 4 in.	#2 Square	0.363 in.	8	1,000	23 lb.	
78500GRG	10 x 5 in.	#2 Square	0.363 in.	8	1,000	26 lb.	
<b>GrabberGard® Red</b>							
WL8200RGR	8 x 2 in.	#2 LOX®	0.309 in.	8	3,000	24 lb.	Woody, Underhead nibs, Type 17 point
WL9250RGR	9 x 2 1/2 in.	#2 LOX®	0.337 in.	8	2,500	29 lb.	
WL9300RGR	9 x 3 in.	#2 LOX®	0.337 in.	8	2,000	28 lb.	
G6125GR	6 x 1 1/4 in.	T20 Star	0.303 in.	10	8,000	30 lb.	Underhead nibs, QuickGrab™ point
G6150GR	6 x 1 1/2 in.	T20 Star	0.303 in.	10	5,000	22 lb.	
G7200GR	7 x 2 in.	T20 Star	0.303 in.	7	3,500	23 lb.	
G8225GR	8 x 2 1/4 in.	T20 Star	0.318 in.	9	3,000	27 lb.	
G8250GR	8 x 2 1/2 in.	T20 Star	0.318 in.	9	2,500	24 lb.	
G8300GR	8 x 3 in.	T20 Star	0.318 in.	9	2,000	23 lb.	
G9300GR	9 x 3 in.	T20 Star	0.335 in.	8	2,000	27 lb.	
G10350GR	10 x 3 1/2 in.	T25 Star	0.358 in.	8	1,000	19 lb.	
G10400GR	10 x 4 in.	T25 Star	0.358 in.	8	1,000	21 lb.	
G10500GR	10 x 5 in.	T25 Star	0.358 in.	8	1,000	27 lb.	
<b>GrabberGard® Brown</b>							
78125BRG	8 x 1 1/4 in.	#2 Square	0.309 in.	8	6,000	30 lb.	Woody, Underhead nibs, Type 17 point
78150BRG	8 x 1 1/2 in.	#2 Square	0.309 in.	8	5,000	31 lb.	
78175BRG	8 x 1 3/4 in.	#2 Square	0.309 in.	8	4,000	28 lb.	
78200BRG	8 x 2 in.	#2 Square	0.309 in.	8	3,000	25 lb.	
78250BRG	8 x 2 1/2 in.	#2 Square	0.309 in.	8	2,500	25 lb.	
78300BRG	8 x 3 in.	#2 Square	0.309 in.	8	2,000	24 lb.	
78350BRG	10 x 3 1/2 in.	#2 Square	0.363 in.	8	1,000	20 lb.	
78400BRG	10 x 4 in.	#2 Square	0.363 in.	8	1,000	23 lb.	
78500BRG	10 x 5 in.	#2 Square	0.363 in.	8	1,000	26 lb.	

<sup>1</sup>TPI stands for Threads Per Inch. This is a count of the number of threads per inch measured along the length of a fastener.

# Flat Head Wood-to-Wood Screws

## Exterior Wood

**GRABBER**  
CONSTRUCTION PRODUCTS

### Ordering Information and Product Options (continued)

Item No.	Size	Recess	Head Diameter	TPI <sup>1</sup>	Quantity	Weight	Special Features
305 Stainless Steel							
GTST125	8 x 1 1/4 in.	T20 Star	0.323 in.	9	5,000	30 lb.	Underhead nibs, QuickGrab™ point
GTST150	8 x 1 1/2 in.	T20 Star	0.323 in.	9	4,000	32 lb.	
GTST200	8 x 2 in.	T20 Star	0.323 in.	9	3,000	33 lb.	
GTST250	10 x 2 1/2 in.	T25 Star	0.362 in.	8	2,000	24 lb.	
GTST300	10 x 3 in.	T25 Star	0.362 in.	8	1,500	21 lb.	
GTST350	10 x 3 1/2 in.	T25 Star	0.362 in.	8	1,000	20 lb.	
GTST400	10 x 4 in.	T25 Star	0.362 in.	8	1,000	20 lb.	
GTST8250	8 x 2 1/2 in.	T20 Star	0.323 in.	9	2,500	26 lb.	
GTST8300	8 x 3 in.	T20 Star	0.323 in.	9	1,000	25 lb.	
GTST8350	8 x 3 1/2 in.	T20 Star	0.323 in.	9	1,000	26 lb.	
GTST8400	8 x 4 in.	T20 Star	0.323 in.	9	1,000	27 lb.	

<sup>1</sup>TPI stands for Threads Per Inch. This is a count of the number of threads per inch measured along the length of a fastener.

Note: Product availability is subject to change without prior notice and the availability of products may differ from what is printed in literature and displayed on our website. The items listed are bulk size. Most are also available in smaller packages such as 5 lb. and 1 lb. Contact your local Grabber Branch or GrabberPro for more information.

Flat Head Wood Screws  
PS1053 USA-ENG/Rev. 02-25

GRABBER CONSTRUCTION PRODUCTS, INC.  
5255 W 11000 N., STE 100  
HIGHLAND, UT 84003

(800) 477-8876 | [GrabberPro.com](http://GrabberPro.com)

**SAFETY FIRST:** Wear appropriate personal protective equipment. Read applicable SDS and literature before handling and installation.

**TECHNICAL INFORMATION:** Technical information contained herein is furnished without charge or obligation and is given and accepted at the recipient's sole risk. Because conditions of use may vary and are beyond our control, Grabber Construction Products makes no representation about, and is not responsible or liable for, the accuracy or reliability of data associated with uses of any product described herein. Grabber Construction Products reserves the right to modify this document without prior notice.

© 2025 Grabber Construction Products, Inc. | All rights reserved | Printed in U.S.A.  
The trademarks Grabber, GrabberGard, LOX, QuickGrab, and Stylized G on Grabber Fasteners, are trademarks of Grabber Construction Products, Inc.

