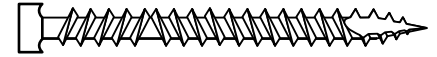
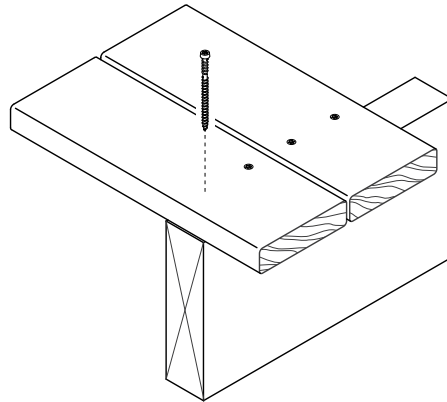
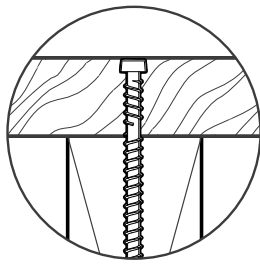


Composite Deck Board-to-Wood Screw

Exterior Wood



Star



Double Type
17 Point

Description Used for attaching composite deck board to wood.

Specifications

- Size | Gauge:** #9 and #10
- Length:** 2 in. to 2 3/4 in.
- Head Type:** Composite Head
- Recess Type:** T20 Star
- Thread Type:** Single Lead and Double Lead, Coarse
- Finish:** Multiple colors GrabberGard®

Quality Assurance: Grabber® fasteners are manufactured in ISO 9001 and ISO 14001 certified and approved factories.

LEED Reporting: The post-consumer recycled steel content is 25%.

Applications

- Composite deck board to wood
- Hardwood or softwood applications

Installation

- Use a standard screw gun with a depth-sensitive nose piece. Suggested screw gun specification for optimal performance: sizes #9 and #10, up to 4,000 RPM.
- The screw is fully seated when it is flush with the work surface.
- The fastener should penetrate the wood at least 7/8 in., in accordance with AWC-NDS for wood construction.
- Overdriving may result in failure of the fastener.

Features

- Star recess provides consistent and reliable bit engagement.
- The composite head is specially designed to provide an improved appearance in composite board-to-wood applications.
- Double Type 17 point starts immediately, and drives into most common hard and soft wood species without predrilling.

Composite Deck Board-to-Wood Screw

Exterior Wood

GRABBER
CONSTRUCTION PRODUCTS

Standard Corrosion Test Results

Finish	Test	Standard/Protocol	Results
GrabberGard®	Salt Spray	ASTM B117	1,000 hrs., no red rust

Note: Salt Spray Testing (SST) results are not intended to predict corrosion in real-world environments. The ASTM B117 standard for SST is recognized industry-wide as an effective tool for comparing different metals and different metal coatings in a tightly controlled, highly corrosive environment for specific periods of time. For more information about corrosion resistance, refer to Grabber's Coatings and Corrosion Resistance Classifications in the Technical Data section of Grabber Fastener Solutions, PG1000. Consult with a corrosion specialist or the architect or engineer of record for detailed guidance and recommendations specific to your project.



Product Dimensions

Size	B Head Dia.	Recess	D1 Minor Dia.	D2 Major Dia.	TPI ¹
#9	0.266 in.	T20 Star	0.151 in.	0.177 in.	12
	0.276 in.	T20 Star	0.151 in.	0.177 in.	12
#10	0.276 in.	T20 Star	0.163 in.	0.190 in.	12

¹TPI stands for Threads Per Inch. This is a count of the number of threads per inch measured along the length of a fastener.

Ordering Information and Product Options

Item No.	Size	Recess	Head Diameter	TPI ¹	Quantity	Weight	Special Features
GrabberGard® Gray							
9212G	9 x 2 1/2 in.	T20 Star	0.266 in.	12	2,000	24 lb.	Reverse upper threads, Double Type 17 point
9234G	9 x 2 3/4 in.	T20 Star	0.266 in.	12	2,000	27 lb.	
BCDS212G	9 x 2 1/2 in.	T20 Star	0.276 in.	12	2,000	24 lb.	
BCDS234G	9 x 2 3/4 in.	T20 Star	0.276 in.	12	2,000	27 lb.	
GCDS234G	9 x 2 3/4 in.	T20 Star	0.276 in.	12	2,000	27 lb.	
GTCD234G	9 x 2 3/4 in.	T20 Star	0.276 in.	12	2,000	27 lb.	
BCDS212G1	9 x 2 1/2 in.	T20 Star	0.276 in.	12	2,000	24 lb.	Light gray, Reverse upper threads, Double Type 17 point
BCDS212G2	9 x 2 1/2 in.	T20 Star	0.276 in.	12	2,000	24 lb.	Medium gray, Reverse upper threads, Double Type 17 point
BCDS212G3	9 x 2 1/2 in.	T20 Star	0.276 in.	12	2,000	24 lb.	Dark gray, Reverse upper threads, Double Type 17 point
GrabberGard® Red							
9212R	9 x 2 1/2 in.	T20 Star	0.266 in.	12	2,000	24 lb.	Reverse upper threads, Double Type 17 point
9234R	9 x 2 3/4 in.	T20 Star	0.266 in.	12	2,000	27 lb.	
BCDS212R	9 x 2 1/2 in.	T20 Star	0.276 in.	12	2,000	24 lb.	
BCDS234R	9 x 2 3/4 in.	T20 Star	0.276 in.	12	2,000	27 lb.	
GCDS234R	9 x 2 3/4 in.	T20 Star	0.276 in.	12	2,000	27 lb.	
GTCD234R	9 x 2 3/4 in.	T20 Star	0.276 in.	12	2,000	27 lb.	
BCDS212R1	9 x 2 1/2 in.	T20 Star	0.276 in.	12	2,000	24 lb.	Light red, Reverse upper threads, Double Type 17 point
BCDS212R2	9 x 2 1/2 in.	T20 Star	0.276 in.	12	2,000	24 lb.	Medium red, Reverse upper threads, Double Type 17 point
BCDS212R3	9 x 2 1/2 in.	T20 Star	0.276 in.	12	2,000	24 lb.	Dark red, Reverse upper threads, Double Type 17 point

¹TPI stands for Threads Per Inch. This is a count of the number of threads per inch measured along the length of a fastener.

Composite Deck Board-to-Wood Screw

Exterior Wood



Ordering Information and Product Options (continued)

Item No.	Size	Recess	Head Diameter	TPI ¹	Quantity	Weight	Special Features
GrabberGard® Brown							
9212B	9 x 2 1/2 in.	T20 Star	0.266 in.	12	2,000	24 lb.	Reverse upper threads, Double Type 17 point
9234B	9 x 2 3/4 in.	T20 Star	0.266 in.	12	2,000	27 lb.	
BCDS212B	9 x 2 1/2 in.	T20 Star	0.276 in.	12	2,000	24 lb.	
BCDS234B	9 x 2 3/4 in.	T20 Star	0.276 in.	12	2,000	27 lb.	
GCDS234B	9 x 2 3/4 in.	T20 Star	0.276 in.	12	2,000	27 lb.	
GTCDS234B	9 x 2 3/4 in.	T20 Star	0.276 in.	12	2,000	27 lb.	
BCDS212B1	9 x 2 1/2 in.	T20 Star	0.276 in.	12	2,000	24 lb.	Light brown, Reverse upper threads, Double Type 17 point
BCDS212B2	9 x 2 1/2 in.	T20 Star	0.276 in.	12	2,000	24 lb.	Medium brown, Reverse upper threads, Double Type 17 point
BCDS212B3	9 x 2 1/2 in.	T20 Star	0.276 in.	12	2,000	24 lb.	Dark brown, Reverse upper threads, Double Type 17 point
BCDS212DB	9 x 2 1/2 in.	T20 Star	0.276 in.	12	2,000	24 lb.	Dark brown, Reverse upper threads, Double Type 17 point
GrabberGard® Tan							
9212T	9 x 2 1/2 in.	T20 Star	0.276 in.	12	2,000	24 lb.	Reverse upper threads, Double Type 17 point
9234T	9 x 2 3/4 in.	T20 Star	0.276 in.	12	2,000	27 lb.	
BCDS212T	9 x 2 1/2 in.	T20 Star	0.276 in.	12	2,000	24 lb.	
BCDS234T	9 x 2 3/4 in.	T20 Star	0.276 in.	12	2,000	27 lb.	
GCDS234T	9 x 2 3/4 in.	T20 Star	0.276 in.	12	2,000	27 lb.	
GTCDS234T	9 x 2 3/4 in.	T20 Star	0.276 in.	12	2,000	27 lb.	
BCDS212T1	9 x 2 1/2 in.	T20 Star	0.276 in.	12	2,000	24 lb.	Light tan, Reverse upper threads, Double Type 17 point
BCDS234T2	9 x 2 3/4 in.	T20 Star	0.276 in.	12	2,000	27 lb.	Medium tan, Reverse upper threads, Double Type 17 point
BCDS212T2	9 x 2 1/2 in.	T20 Star	0.276 in.	12	2,000	24 lb.	Medium tan, Reverse upper threads, Double Type 17 point
BCDS212T3	9 x 2 1/2 in.	T20 Star	0.276 in.	12	2,000	24 lb.	Dark tan, Reverse upper threads, Double Type 17 point
Other Colors, GrabberGard®							
BCDS212LT	9 x 2 1/2 in.	T20 Star	0.276 in.	12	2,000	24 lb.	Light tan, Reverse upper threads, Double Type 17 point
BCDS212C1	9 x 2 1/2 in.	T20 Star	0.276 in.	12	2,000	24 lb.	Light cedar, Reverse upper threads, Double Type 17 point
BCDS212C2	9 x 2 1/2 in.	T20 Star	0.276 in.	12	2,000	24 lb.	Medium cedar, Reverse upper threads, Double Type 17 point
GCDS234D	9 x 2 3/4 in.	T20 Star	0.276 in.	12	2,000	27 lb.	Dune, Reverse upper threads, Double Type 17 point
GCDS234DW	9 x 2 3/4 in.	T20 Star	0.276 in.	12	2,000	27 lb.	Driftwood, Reverse upper threads, Double Type 17 point
GCDS234L	9 x 2 3/4 in.	T20 Star	0.276 in.	12	2,000	27 lb.	Leather, Reverse upper threads, Double Type 17 point
GCDS234S	9 x 2 3/4 in.	T20 Star	0.276 in.	12	2,000	27 lb.	Slate, Reverse upper threads, Double Type 17 point

¹TPI stands for Threads Per Inch. This is a count of the number of threads per inch measured along the length of a fastener.

Composite Deck Board-to-Wood Screw

Exterior Wood



Ordering Information and Product Options (continued)

Item No.	Size	Recess	Head Diameter	TPI ¹	Quantity	Weight	Special Features
305 Stainless Steel							
CMS212R3-1750	9 x 2 1/2 in.	T20 Star	0.276 in.	12	1,750	21 lb.	Dark red, Reverse upper threads, Double Type 17 point
BCDS10200SS	10 x 2 in.	T20 Star	0.276 in.	12	3,000	31 lb.	Reverse upper threads, Double Type 17 point
BCDS212BSS	9 x 2 1/2 in.	T20 Star	0.276 in.	12	2,000	24 lb.	Brown, Reverse upper threads, Double Type 17 point
BCDS212GSS	9 x 2 1/2 in.	T20 Star	0.276 in.	12	2,000	24 lb.	Gray, Reverse upper threads, Double Type 17 point
BCDS212RSS	9 x 2 1/2 in.	T20 Star	0.276 in.	12	2,000	24 lb.	Red, Reverse upper threads, Double Type 17 point
BCDS212SS	9 x 2 1/2 in.	T20 Star	0.276 in.	12	2,000	24 lb.	Reverse upper threads, Double Type 17 point
BCDS212TSS	9 x 2 1/2 in.	T20 Star	0.276 in.	12	2,000	24 lb.	Tan, Reverse upper threads, Double Type 17 point

¹TPI stands for Threads Per Inch. This is a count of the number of threads per inch measured along the length of a fastener.

Note: Product availability is subject to change without prior notice and the availability of products may differ from what is printed in literature and displayed on our website. The items listed are bulk size. Most are also available in smaller packages such as 5 lb. and 1 lb. Contact your local Grabber Branch or GrabberPro for more information.

Composite Deck
Board-to-Wood Screw
PS1019 USA-ENG/Rev. 02-25

GRABBER CONSTRUCTION PRODUCTS, INC.
5255 W 11000 N., STE 100
HIGHLAND, UT 84003

(800) 477-8876 | GrabberPro.com

SAFETY FIRST: Wear appropriate personal protective equipment. Read applicable SDS and literature before handling and installation.

TECHNICAL INFORMATION: Technical information contained herein is furnished without charge or obligation and is given and accepted at the recipient's sole risk. Because conditions of use may vary and are beyond our control, Grabber Construction Products makes no representation about, and is not responsible or liable for, the accuracy or reliability of data associated with uses of any product described herein. Grabber Construction Products reserves the right to modify this document without prior notice.

© 2025 Grabber Construction Products, Inc. | All rights reserved | Printed in U.S.A.
The trademarks Grabber, GrabberGard, and Stylized G on Grabber Fasteners, are trademarks of Grabber Construction Products, Inc.

